



**Gas
cage
shop**

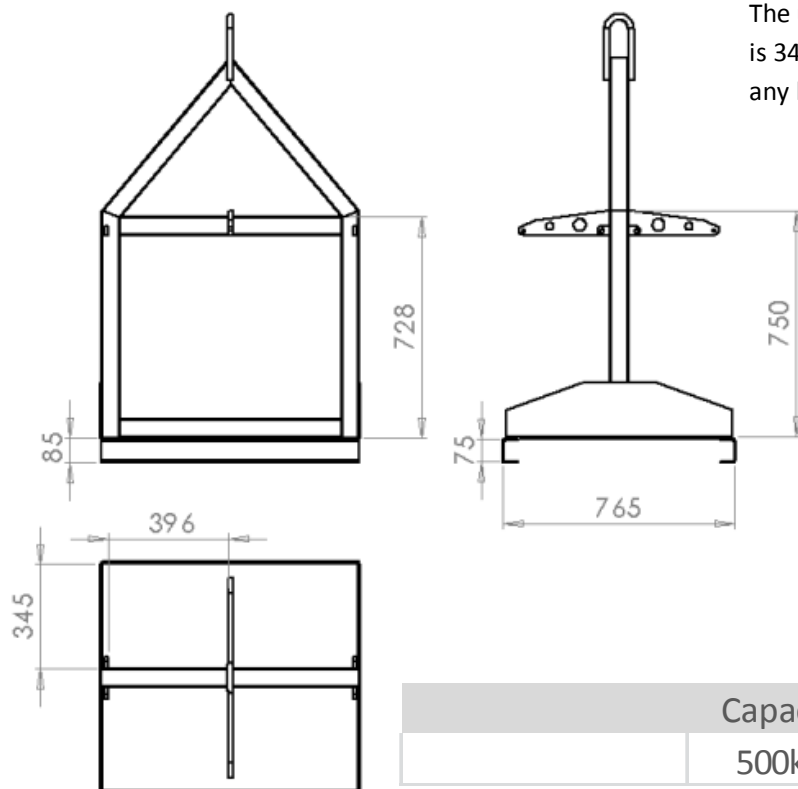


The universal crane slung gas cylinder handler is the perfect solution for handling gas bottles via an overhead crane or via a forklift truck fitted with a lifting jib/hook.

The unit is manufactured from mild steel and comes with a durable 3mm base pressing which is pressed to allow fork entry from the offside for positional purposes.

The unit can handle up to 4 gas cylinders at once, each of which is housed in its own segregated area to avoid damage. The bottles/cylinders are retained to the frame via quick release chains that are pulled around the bottle/cylinder and then clipped into the profiled separating arms.

The unit has 4 segments for bottles to sit in, each of which is 345x396mm, as shown below. This enables you to carry any bottle or cylinder up to this size safely and securely.



The unit will handle bottles up to and including bottles 1250mm in height. However bespoke units can be manufactured that increase the frame height, allowing you to lift taller cylinders with ease.

Please confirm your bottle/cylinder diameter when ordering, also the height and weight of each bottle/cylinder.

The gas cylinder handler is supplied CE marked and fully certified.

Capacity	Weight	C of G	Load Centre
500kgs	79kgs	Centre	Centre